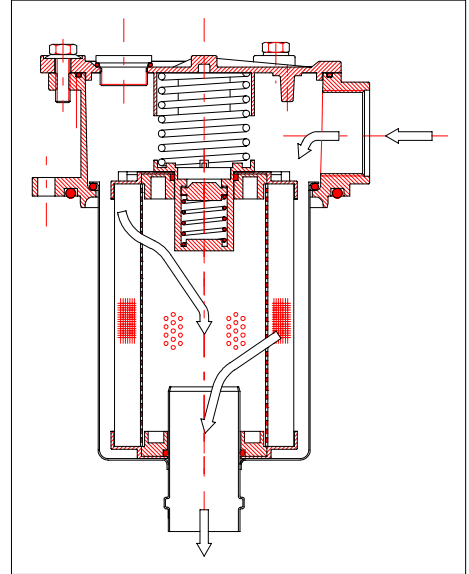


Bolgare, March 2004

Subject : new ordering codes - RFM series.



As already told in October 2003, we are gradually updating the ordering codes of our products, according to a coding system that makes easier the order processing and consequently will enable us to give you a more and more efficient service.

The new coding system is already in force for the filters series MHT, MDF, MDM, SPM, SPP, MRH-MSE, KTS e ROL; **from the next weeks, the new coding system will enter into force for the RFM filters** too. The new catalogue for this series is already available on our website www.sofima-hyd.com.

At the same time an **important manufacturing improvement** will be applied, concerning the filter elements of this series : **the new CRE filter elements have plastic end caps with captive O-rings**, ensuring better **sealing, strength and compatibility**.

The **full interchangeability with the former RE elements** is obviously ensured.

To make it easier for you :

- on our order confirmations you will see also the former codes under "Description"
- a new release of our list price (rev. 01/034) is now available, with pages of a.m. filter series updated accordingly (prices remain obviously unchanged).

We remain at your disposal for any further information

Best regards

PLANET FILTERS S.p.A.
Sofima Hydraulics